

NVR-S2-P Series



Key Features

- Support Ultra 265/H.265/H.264 video formats
- 8/16-channel input
- Plug & Play with 8/16 independent PoE network interfaces
- Support mainstream cameras of ONVIF conformance(Profile S, Profile G, Profile T) and RTSP protocols
- Support HDMI and VGA simultaneous output
- Up to 8 Megapixels resolution recording
- 2 SATA HDDs, up to 10TB for each HDD
- Support cloud upgrade

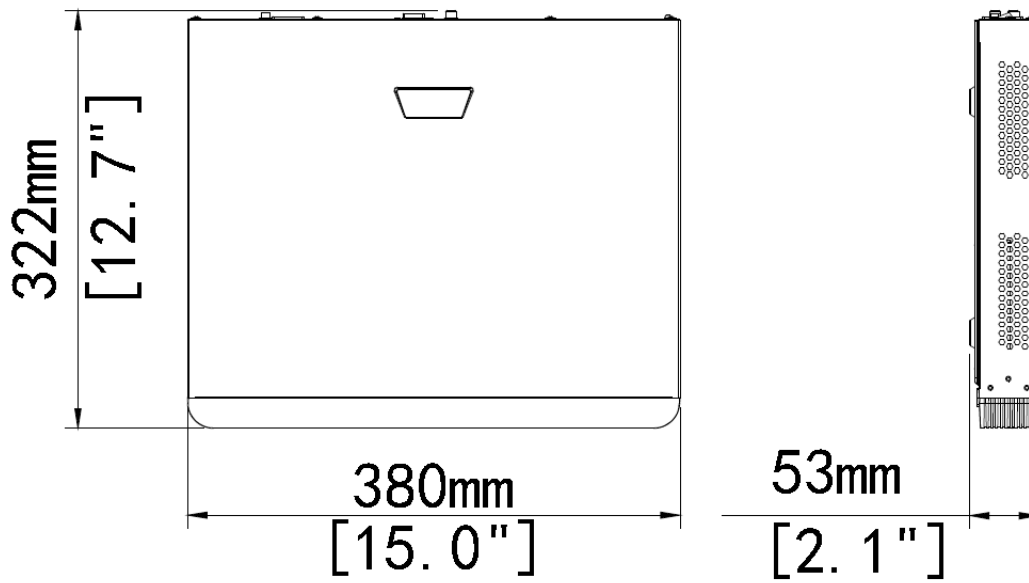
Specifications

Model	NVR-208S2-P8	NVR-216S2-P16
Video/Audio Input		
IP Video Input	8-ch	16-ch
Two-way Audio Input	1-ch, RCA	
Network		
Incoming Bandwidth	160Mbps	
Outgoing Bandwidth	96Mbps	
Remote Users	128	
Protocols	TCP/IP, P2P, UPnP, DHCP, HTTP, HTTPS, DNS, DDNS, SMTP	
Video/Audio Output		
HDMI/VGA Output	VGA: 1024X768@60, 1280X720@60, 1280X1024@60, 1600X1200@60, 1920X1080@50, 1920X1080@60 HDMI: 4K(3840x2160@30), 1024X768@60, 1280X720@60, 1280X1024@60, 1600X1200@60, 1920X1080@50,	

	1920X1080@60	
Recording Resolution	8MP/6MP/5MP/4MP/3MP/1080p/960p/720p/D1/2CIF/CIF	
Audio Output	1-ch, RCA	
Audio Compression	G.711A, G.711U	
Synchronous Playback	8-ch	16-ch
Live View Display	1/4/6/8/9	1/4/6/8/9/16
Corridor Mode Screen	3/4/5/7/9	3/4/5/7/9/10/12/16
Decoding		
Decoding format	Ultra 265/H.265/H.264	
Live view/Playback	8MP/6MP/5MP/4MP/3MP/1080p/960p/720p/D1/2CIF/CIF	
Capability	1 x 4K@30, 2 x 4MP@30, 3 x 3MP@25, 4 x 1080P@30, 8 x 720P@30	1 x 4K@30, 2 x 4MP@30, 3 x 3MP@25, 4 x 1080P@30, 8 x 720P@30, 16 x D1
Hard Disk		
SATA	2 SATA interfaces	
Capacity	up to 10TB for each disk	
Smart		
VCA Detection by Camera	Intrusion Detection, Cross Line Detection, Enter Area, Leave Area	
VCA Search	Behavior Search	
Smart Intrusion Prevention (SIP) by Camera	4-ch	
General Alarm		
General Alarm	Motion, Human Body Detection, Video Loss, Alarm Input	
Alert Alarm	IP Conflict, Network Disconnected, Disk Offline, Disk Abnormal, Illegal Access	
External Interface		
Network Interface	1 RJ-45 10M/100M/1000M self-adaptive Ethernet Interface	
USB Interface	Front panel: 1 x USB2.0, Rear panel: 1 x USB2.0	
RS232	NA	
RS485	NA	
Alarm In	4-ch	
Alarm Out	1-ch	
PoE		
Interface	8 independent 100Mbps PoE network interfaces	16 independent 100Mbps PoE network interfaces
Max Power	Max 30W for single port Max 130W in total	Max 30W for single port Max 240W in total
Supported Standard	IEEE 802.3af/at	
General		
Power Supply	220V AC Power Consumption: ≤9 W (without HDD)	
Working Environment	-10°C~+ 55°C (+14°F~+131°F), Humidity ≤ 90% RH (non-condensing)	
Dimensions (W×D×H)	380mm ×322mm × 53mm (15.0" × 12.7" ×2.1")	
Weight (without HDD)	≤2.4kg (5.29lb)	
Certification		
Certification	CE	

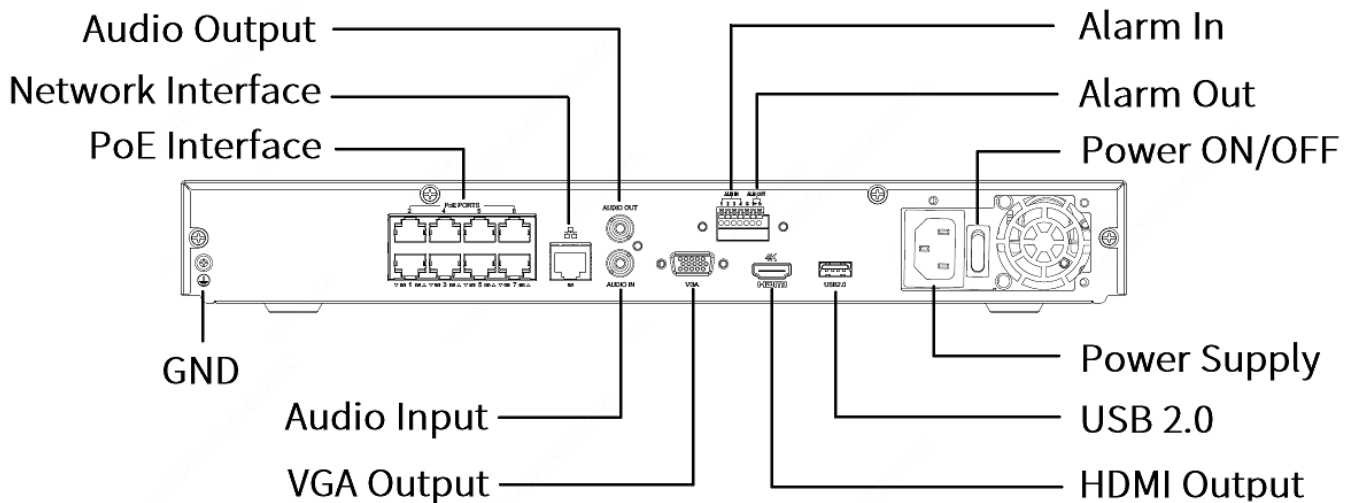
FCC
RoHS
WEEE

Dimensions



Rear Panel

Take **NVR-208S2-P8** for example



www.uniview.com/uniarch

©2022 Zhejiang Uniview Technologies Co., Ltd. All rights reserved.

*Product specifications and availability are subject to change without notice.